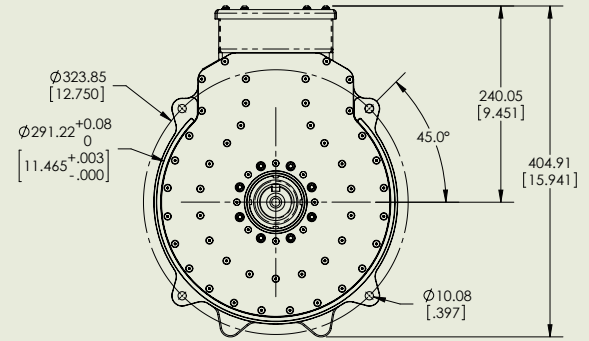
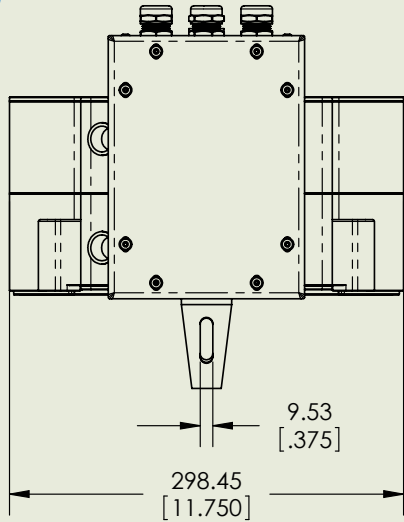


LE SmartTorq™ M32L2



Powering Your
Innovation™



Featuring SmartTorq™ Technology

Specifications

	English Units	Metric Units
Rated Power (KW)	50	50
Peak Power (KW)	75	75
Diameter (IN, CM)	11.75	29.85
Length (IN, CM)	5.9	15
Weight (LB, KG)	105	48
Shaft Dia. & Config. (IN, CM) <small>Straight, Keyed</small>	1.5	3.81
Rated Speed (RPM)	3000	3000
Max Speed (RPM)	4200	4200

M32L2 Performance Data

